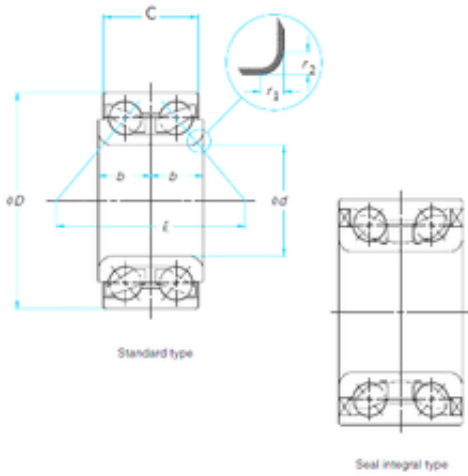




PRECISION BEARING CORP.

49 mm x 84 mm x 42 mm H2314 Bearing

Bearing No. 511036



Size	49x84x42 mm
Bore Diameter	49 mm
Outer Diameter	84 mm
Width	42 mm
d	49 mm
D	84 mm
B	42 mm
C	40 mm

511036 Bearing 2D drawings and 3D CAD models