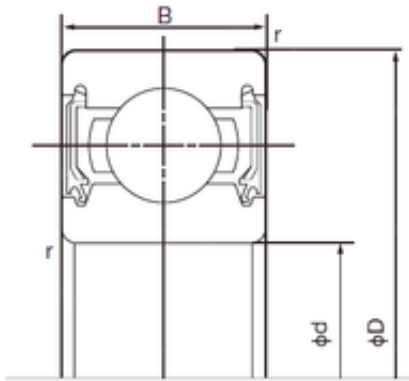




# PRECISION BEARING CORP.

## 50 mm x 80 mm x 16 mm B17-116D Bearing



Bearing No. 6010-2NSE

6010-2NSE Bearing 2D drawings and 3D CAD models

Size	50x80x16 mm
Bore Diameter	50 mm
Outer Diameter	80 mm
Width	16 mm
d	50 mm
D	80 mm
B	16 mm
C	16 mm
r min.	1 mm
da min.	55 mm
Da max.	75 mm
ra max.	1.0 mm
Weight	0.264 Kg
Basic dynamic load rating (C)	21,8 kN
Basic static load rating (C0)	16,6 kN
Category	Single Row Ball Bearings
Inventory	0.0
Manufacturer Name	NACHI
Minimum Buy Quantity	N/A
Weight / Kilogram	0
Product Group	B00308
Enclosure	2 Seals
Precision Class	ABEC 1   ISO P0
Maximum Capacity / Filling Slot	No
Rolling Element	Ball Bearing



## PRECISION BEARING CORP.

Snap Ring	No
Internal Special Features	No
Cage Material	Steel
Enclosure Type	Contact Seal
Internal Clearance	C0-Medium
Inch - Metric	Metric
Long Description	50MM Bore; 80MM Outside Diameter; 16MM Outer Race Width; 2 Seals; Ball Bearing; ABEC 1   ISO P0; No Filling Slot; No Snap Ring; No Internal Special Features; C0-Medium Internal Clearance; Steel Cage;
Other Features	Deep Groove
Category	Single Row Ball Bearing
UNSPSC	31171504
Harmonized Tariff Code	8482.10.50.68
Noun	Bearing
Keyword String	Ball
Manufacturer URL	<a href="http://www.nachiamerica.com">http://www.nachiamerica.com</a>
Outside Diameter	3.15 Inch   80 Millimeter
Inner Race Width	0 Inch   0 Millimeter
Bore	1.969 Inch   50 Millimeter
Outer Race Width	0.63 Inch   16 Millimeter