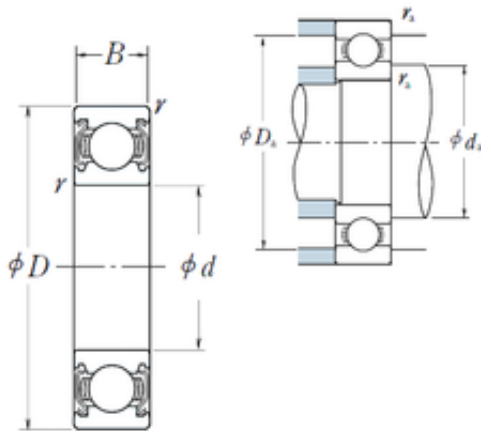




# PRECISION BEARING CORP.



## 40 mm x 90 mm x 23 mm W6201-2RS W6201 Bearing

Bearing No. 6308ZZ

6308ZZ Bearing 2D drawings and 3D CAD models

Size	40x90x23 mm
Bore Diameter	40 mm
Outer Diameter	90 mm
Width	23 mm
d	40 mm
D	90 mm
B	23 mm
C	23 mm
r min.	1,5 mm
da min.	48 mm
da max	53 mm
Da max.	82 mm
ra max.	1,5 mm
Weight	0,636 Kg
Basic dynamic load rating (C)	40,5 kN
Basic static load rating (C0)	24 kN
(Grease) Lubrication Speed	7 500 r/min
Category	Single Row Ball Bearings
Inventory	0.0
Manufacturer Name	NSK
Minimum Buy Quantity	N/A
Weight / Kilogram	0.63
EAN	0029176016943
Product Group	B00308
Enclosure	2 Metal Shields



## PRECISION BEARING CORP.

Precision Class	ABEC 1   ISO P0
Maximum Capacity / Filling Slot	No
Rolling Element	Ball Bearing
Snap Ring	No
Internal Special Features	No
Cage Material	Steel
Internal Clearance	C0-Medium
Inch - Metric	Metric
Long Description	40MM Bore; 90MM Outside Diameter; 23MM Outer Race Diameter; 2 Metal Shields; Ball Bearing; ABEC 1   ISO P0; No Filling Slot; No Snap Ring; No Internal Special Features
Category	Single Row Ball Bearing
UNSPSC	31171504
Harmonized Tariff Code	8482.10.50.68
Noun	Bearing
Keyword String	Ball
Manufacturer URL	<a href="http://www.nskamericas.com">http://www.nskamericas.com</a>
Manufacturer Item Number	6308ZZ
Weight / LBS	0.633
Bore	1.575 Inch   40 Millimeter
Outer Race Width	0.906 Inch   23 Millimeter
Outside Diameter	3.543 Inch   90 Millimeter
bore diameter:	40 mm
snap ring included:	Without Snap Ring
outside diameter:	90 mm
internal clearance:	C0
overall width:	23 mm
dynamic load capacity:	40500 N
bore type:	Round



# PRECISION BEARING CORP.

precision rating:	ABEC1, P0
closure type:	Double Shielded
finish/coating:	Uncoated
row type & fill slot:	Single Row Non-Fill Slot
cage material:	Steel Cage
SRI	7.62
hidYobi	6308ZZ
LangID	1
D_	90
SREX	0.065
B_	23
da min	48
hidTable	ecat_NSRDGB
SRE	7.99
mass	0.636
GRS rpm	7500
ra	1.5
SRIX	0.03
D_a	82
SRIN	0
C0	24
fo	13.2
SREN	0
DE_	80.081
Prod_Type3	DGBB_SR_ZZ
DA_	15.081
bomp	0
Z_	8
yobi	6308ZZ
C_conv	40500
ALPHA_	0
SDM_	65



## PRECISION BEARING CORP.

r	1.5
KBRG	6141
SBRG	3
DI_	49.919